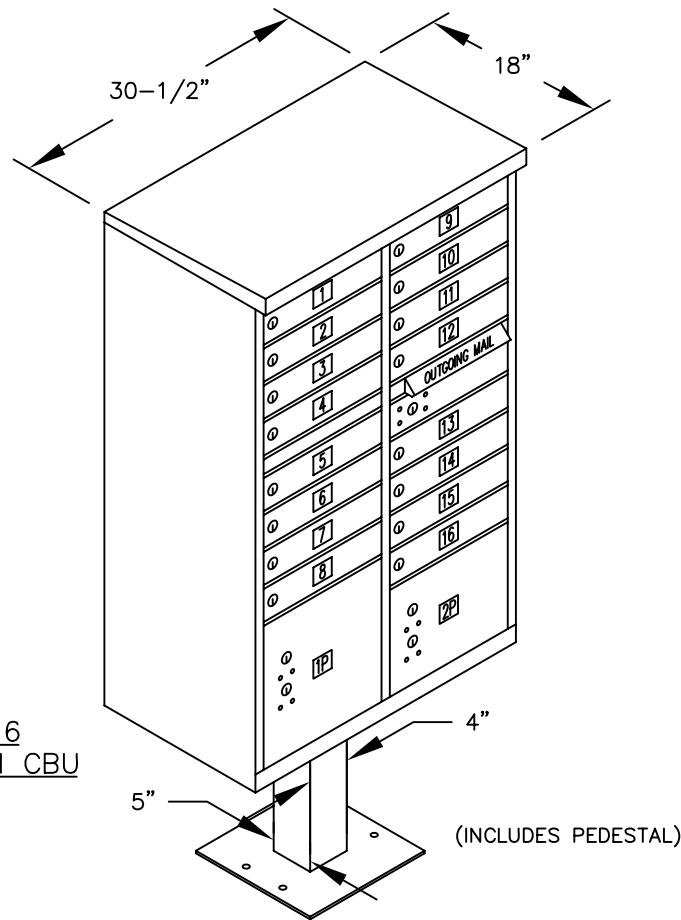
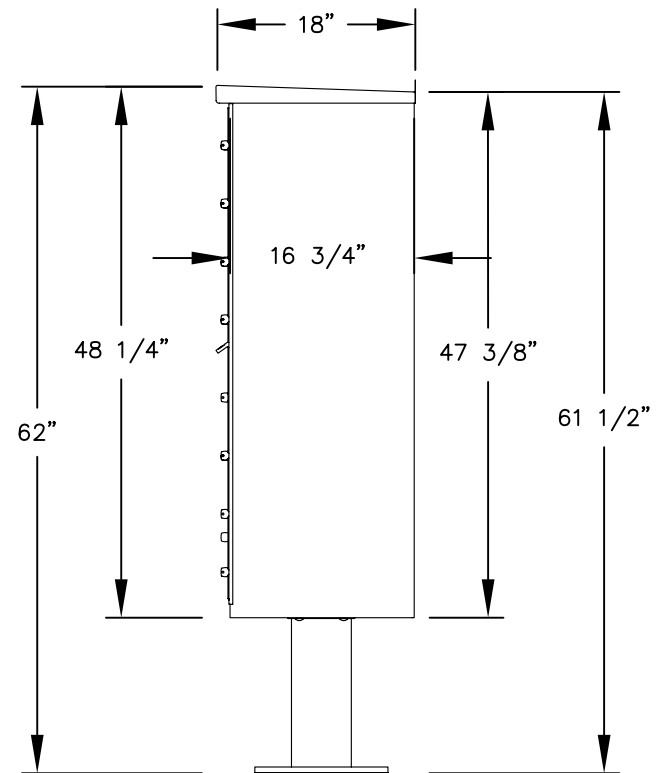


PEDESTAL BASE  
BOLT PATTERN

3316  
TYPE III CBU



(INCLUDES PEDESTAL)



**MODEL #3316**  
CLUSTER BOX UNIT  
(F SERIES)

AVAILABLE COLORS:  
SANDSTONE, BRONZE, GREEN, BLACK, WHITE  
OR GRAY (FOR REPLACEMENT UNITS)

USPS ACCESS OR PRIVATE ACCESS

DRAWN: 8/2020

*Established in 1936, Salsbury Industries is the industry leader in manufacturing and distributing quality mailboxes.*

18300 CENTRAL AVENUE  
CARSON, CA 90746-4008  
PHONE: (800) 624-5269  
FAX: (800) 624-5299  
email: [engineering@mailboxes.com](mailto:engineering@mailboxes.com)